

PRODUCT DESCRIPTION

The sensor nodes are transceivers usually scattered in a sensor field where each of them has the capability to collect data and route data back to the aggregator/gateway/PC. They use their processing capabilities to locally carry out simple computations and transmit only the necessary and partially processed data. The nodes may even communicate with the task manager/end-user via the Internet or wireless network, making the Internet of Things possible.

FEATURES

- Pump Controls - STP, WTP, Fire
- AHU monitoring and control
- Energy Monitoring System
- Energy monitoring and billing
- Any soft-point integration

MODULE SPECIFICATION

MODEL NUMBER	ZBSNW-01-RY22
MEMORY	64KB EEPROM 3 Days data backup in case of network failure
POWER SUPPLY	5 VDC/1 AMPS
DIMENSIONS	185 X 129 X 31 mm (LXWXH)
INSTALLATION	Wall Mount (using 3mm Screw)
OPERATING CONDITION	0°C to 50 °C, 10-90 % RH, non-condensing, Degree of protection: IP40, IP20 (terminals)
INTERFACE	1x RS-485 Modbus RTU (Master or Slave) 1x WIFI (Cloud)
NTC	4 Nos-3K
DI	1 Nos-5VDC
DO	1 Nos-230VAC/5AMPS
AI	1 Nos-4-20mA 1 Nos-0-10VDC
AO	1 Nos-10V@50mA Max

IO DETAILS



-	+	+	G	+	G	+	G	V	V	V	V	+	G	A	B	O	P	C		
5V	AI1	AO1	DI1	NT4	NT3	NT2	NT1	AI2	RS485	DO1	NA									

SENSOR NODE

ZBSNW-01-RY22

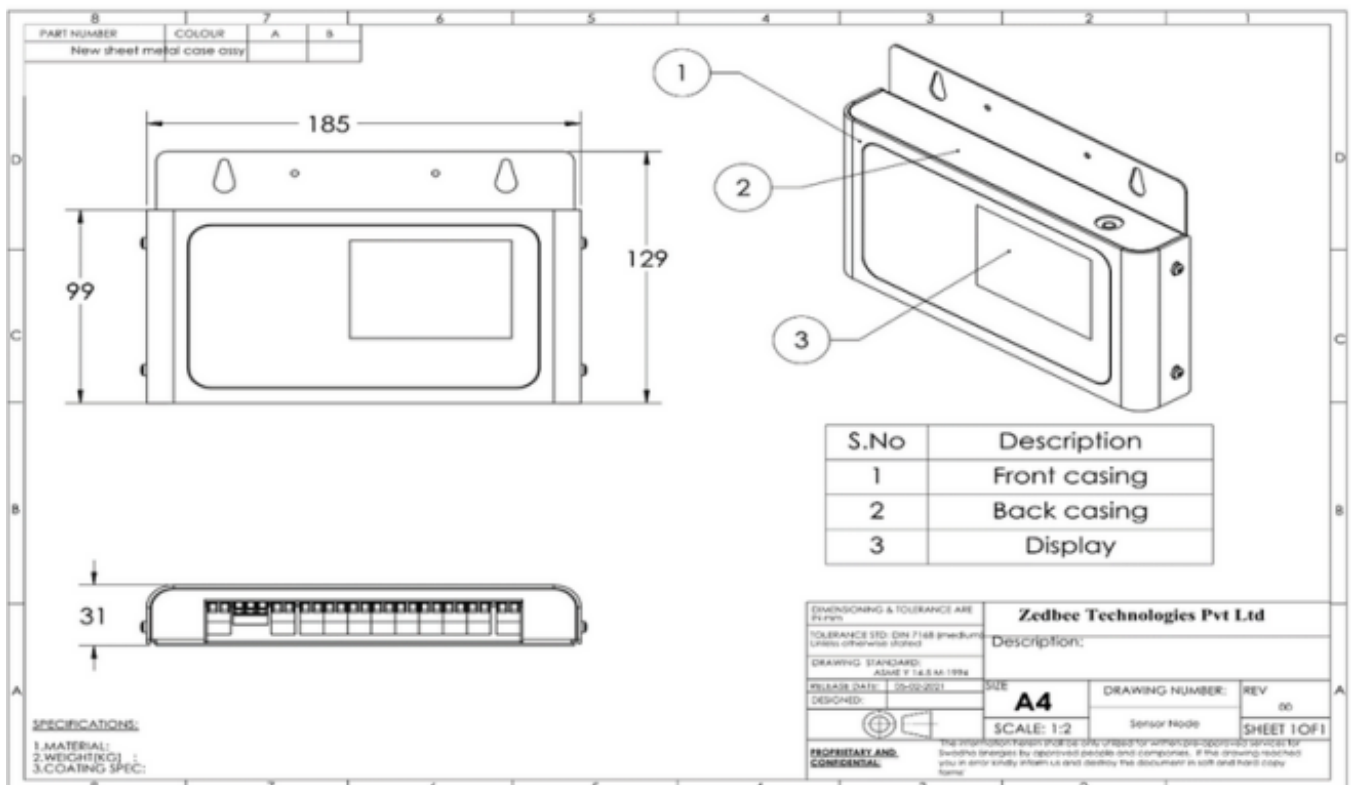
DATA SHEET

CONNECTOR

DESCRIPTION

+V	+5VDC Input power supply
-V	Power supply reference
G	Common for Input/Output
AI1	Analog input.1 ,0 TO 10V
AO1	Analog Output.2 ,0 TO 10V
DI1	Digital input.1 ,5 VDC
V	2.5V For NTC Inputs
NT4	Passive Analog Input.4(NTC-3K)
NT3	Passive Analog Input.3(NTC-3K)
NT2	Passive Analog Input.2(NTC-3K)
NT1	Passive Analog Input.1(NTC-3K)
AI2	Analog Input.2 ,4 TO 20ma
A	(+)Terminal for RS485 connection to EXT-BMS
B	(-)Terminal for RS485 connection to EXT-BMS
P	Common for relay.1
C	Normally close contact for relay.1
O	Normally open contact for relay.1

DIMENSION



ZedBee Technologies Pvt Ltd

IIT madras Research Park, Taramani, Chennai-600113